

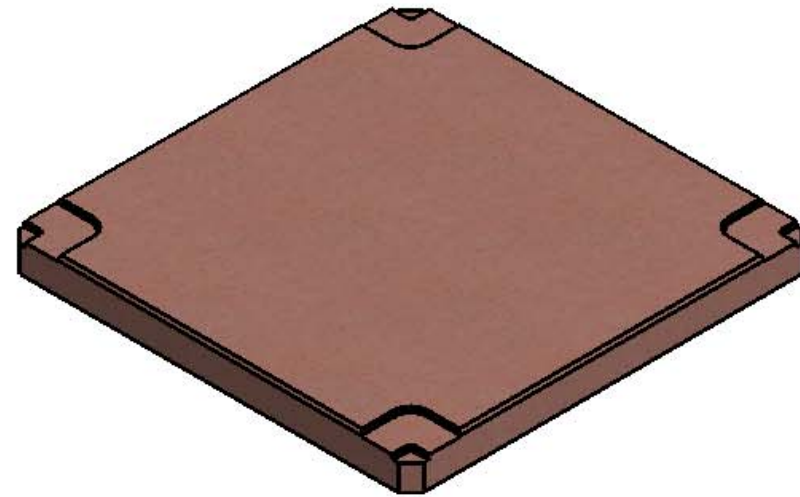
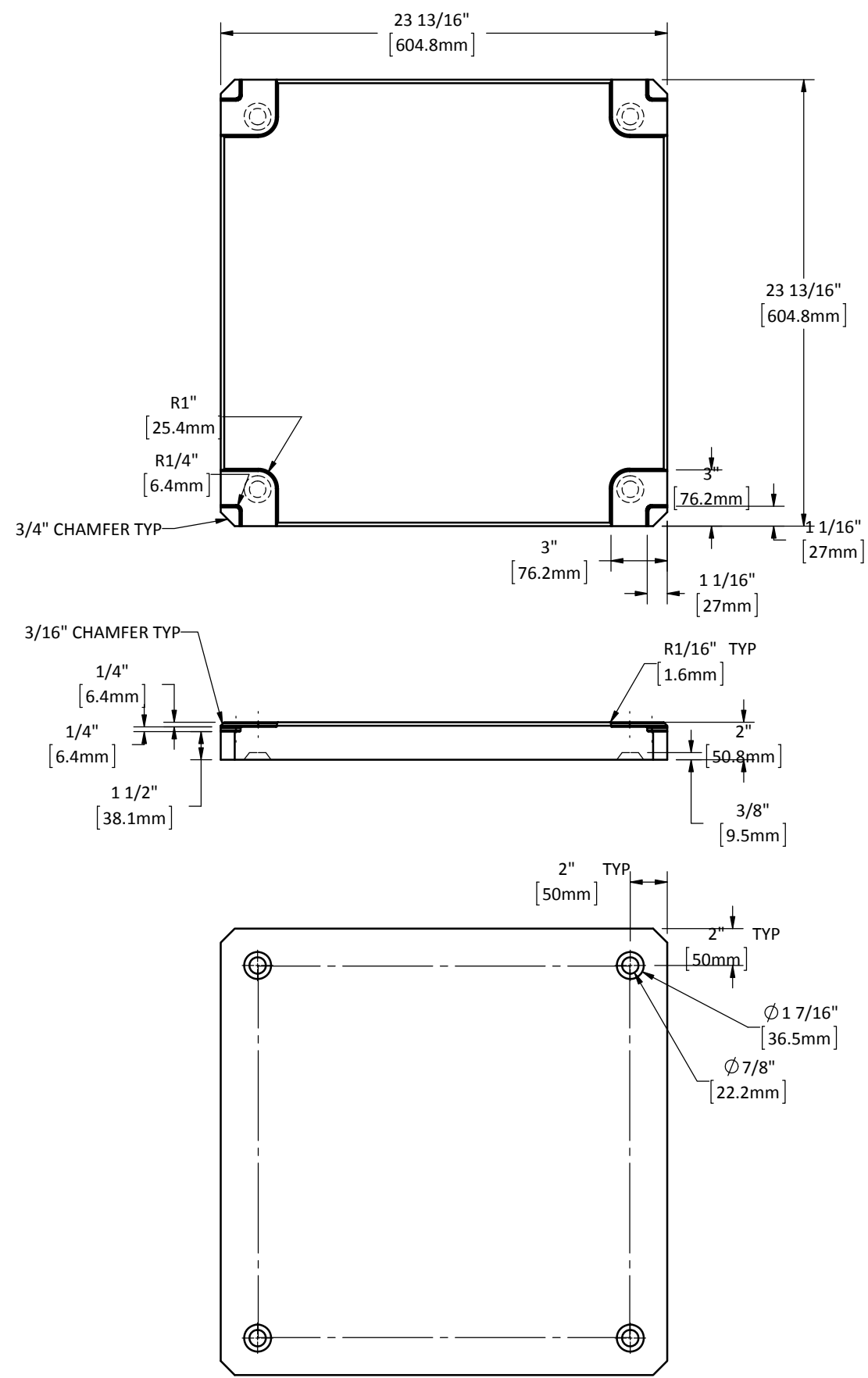
REVISIONS		
NAME	DATE	NOTES
1		
2		
3		
4		
5		
6		
7		
8		

**CONFIDENTIAL INFORMATION**  
THESE DRAWINGS, SPECIFICATIONS AND OTHER INFORMATION AND DOCUMENTS ACCOMPANYING THEM ARE THE CONFIDENTIAL AND PROPRIETARY PROPERTY OF WAUSAU TILE, INC. THE DRAWINGS THEMSELVES SHALL BELONG TO THE OWNER FOR USE ONLY ON THE PROJECT. ANY ADDITIONAL USE SHALL REQUIRE THE PRIOR WRITTEN APPROVAL OF WAUSAU TILE, INC. THE PROPRIETARY INFORMATION CONTAINED WITHIN THE DRAWINGS AND THE DOCUMENTS IS AND SHALL REMAIN THE SOLE PROPERTY OF WAUSAU TILE, INC.

24 x 24 x 2 LOK-DOWN

UNLESS OTHERWISE SPECIFIED  
DIMENSIONS ARE IN INCHES  
TOLERANCE:  
FRACTIONS ± 1/8" ANGLE ± 0.5°  
DIM: 2-PL ± 0.01 3-PL ± 0.05

DRAWN BY: RJK  
DATE: 6/17/2016  
MATERIAL:  
CO NUMBER:  
WEIGHT:  
NUMBER: **24x24x2**



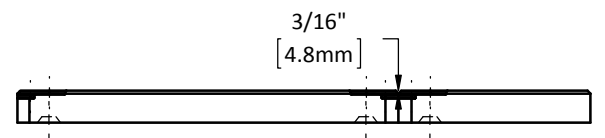
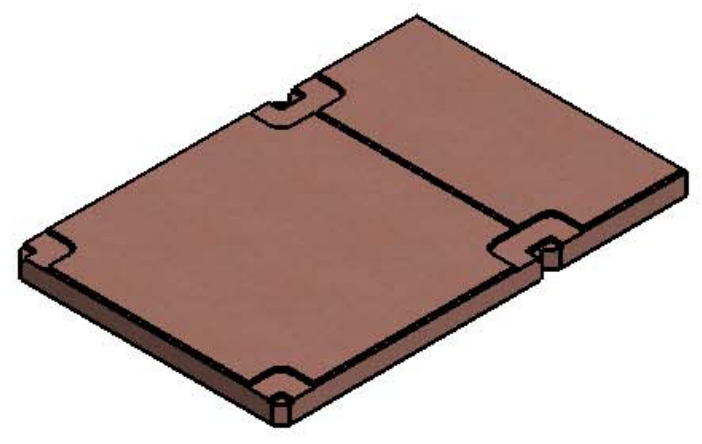
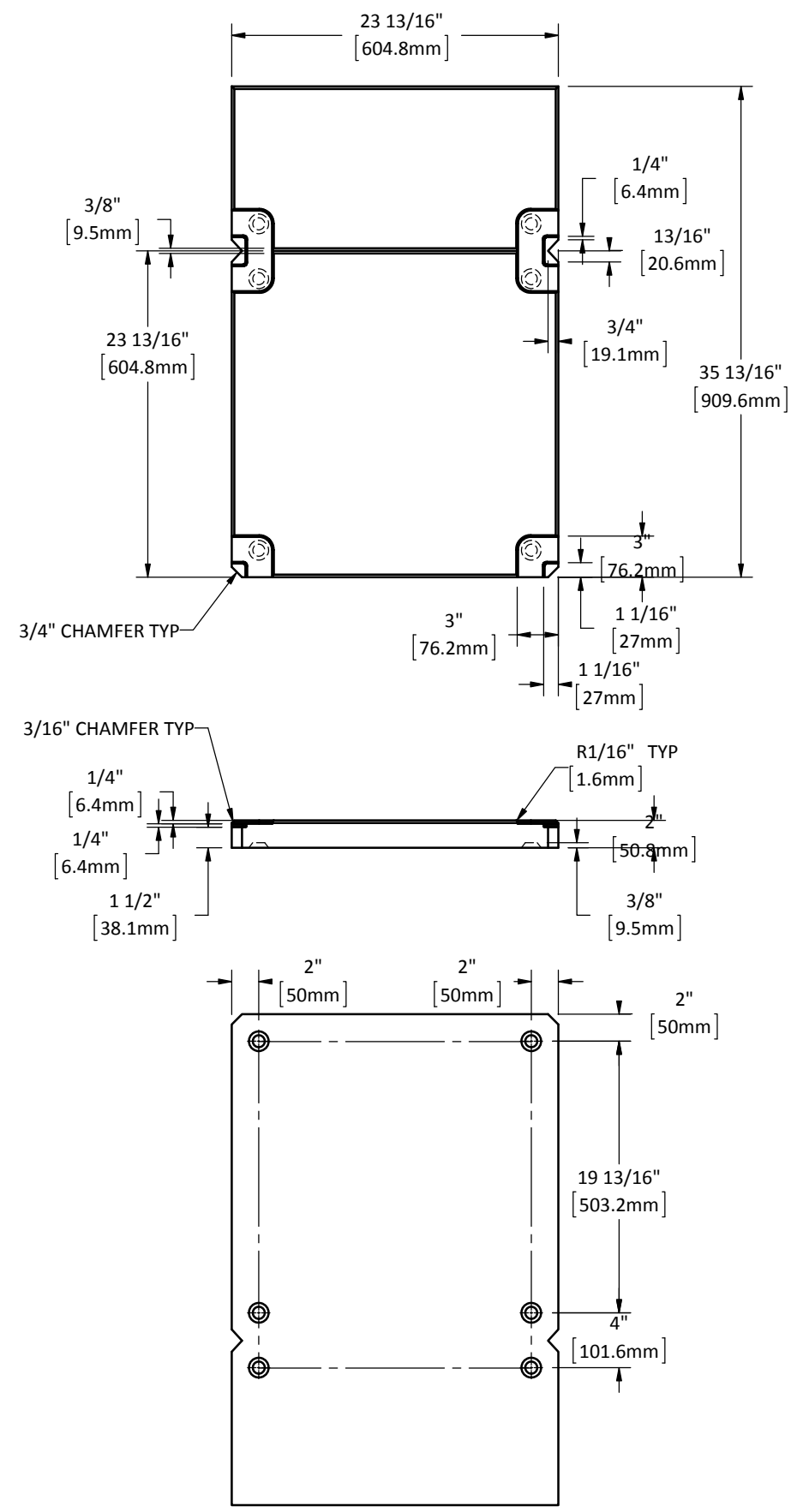
REVISIONS		
NAME	DATE	NOTES
1		
2		
3		
4		
5		
6		
7		
8		

**CONFIDENTIAL INFORMATION**  
THESE DRAWINGS, SPECIFICATIONS AND OTHER INFORMATION AND DOCUMENTS ACCOMPANYING THEM ARE THE CONFIDENTIAL AND PROPRIETARY PROPERTY OF WAUSAU TILE, INC. THE DRAWINGS THEMSELVES SHALL BELONG TO THE OWNER FOR USE ONLY ON THE PROJECT. ANY ADDITIONAL USE SHALL REQUIRE THE PRIOR WRITTEN APPROVAL OF WAUSAU TILE, INC. THE PROPRIETARY INFORMATION CONTAINED WITHIN THE DRAWINGS AND THE DOCUMENTS IS AND SHALL REMAIN THE SOLE PROPERTY OF WAUSAU TILE, INC.

**24 x 36 x 2 FALSE SCORE**

UNLESS OTHERWISE SPECIFIED  
DIMENSIONS ARE IN INCHES  
TOLERANCE:  
FRACTIONS ± 1/8" ANGLE ± 0.5°  
DIM: 2-PL ± 0.01 3-PL ± 0.05

DRAWN BY: RJK  
DATE: 6/17/2016  
MATERIAL:  
CO NUMBER:  
WEIGHT:  
NUMBER:  
**24x36x2 FALSE SCORE**



REVISIONS

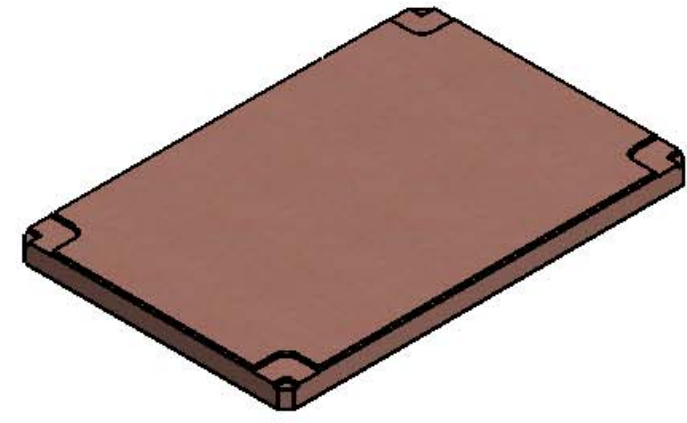
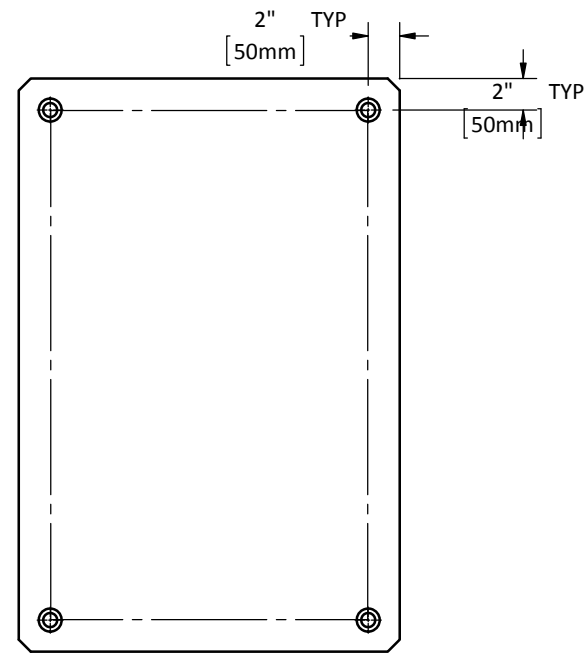
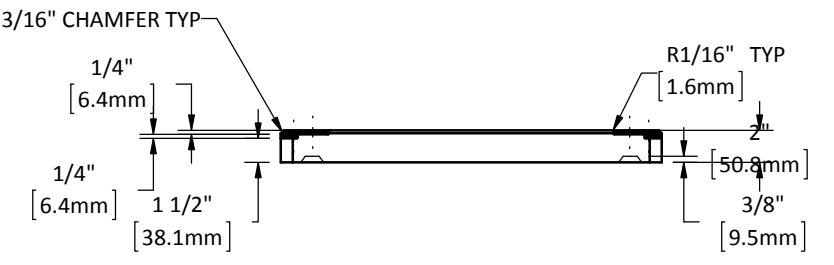
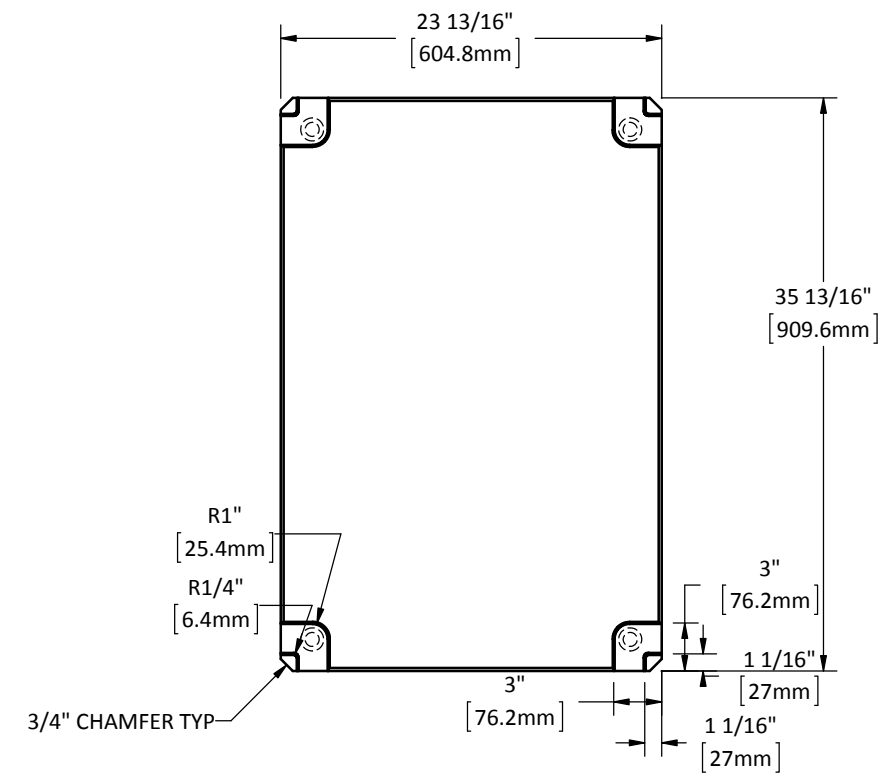
NAME	DATE	NOTES
1		
2		
3		
4		
5		
6		
7		
8		

**CONFIDENTIAL INFORMATION**  
THESE DRAWINGS, SPECIFICATIONS AND OTHER INFORMATION AND DOCUMENTS ACCOMPANYING THEM ARE THE CONFIDENTIAL AND PROPRIETARY PROPERTY OF WAUSAU TILE, INC. THE DRAWINGS THEMSELVES SHALL BELONG TO THE OWNER FOR USE ONLY ON THE PROJECT. ANY ADDITIONAL USE SHALL REQUIRE THE PRIOR WRITTEN APPROVAL OF WAUSAU TILE, INC. THE PROPRIETARY INFORMATION CONTAINED WITHIN THE DRAWINGS AND THE DOCUMENTS IS AND SHALL REMAIN THE SOLE PROPERTY OF WAUSAU TILE, INC.

24 x 36 x 2 LOK-DOWN

UNLESS OTHERWISE SPECIFIED  
DIMENSIONS ARE IN INCHES  
TOLERANCE:  
FRACTIONS ± 1/8" ANGLE ±0.5°  
DIM: 2-PL ±0.01 3-PL ±.005

DRAWN BY: RJK  
DATE: 6/17/2016  
MATERIAL:  
CO NUMBER:  
WEIGHT:  
NUMBER: **24x36x2**



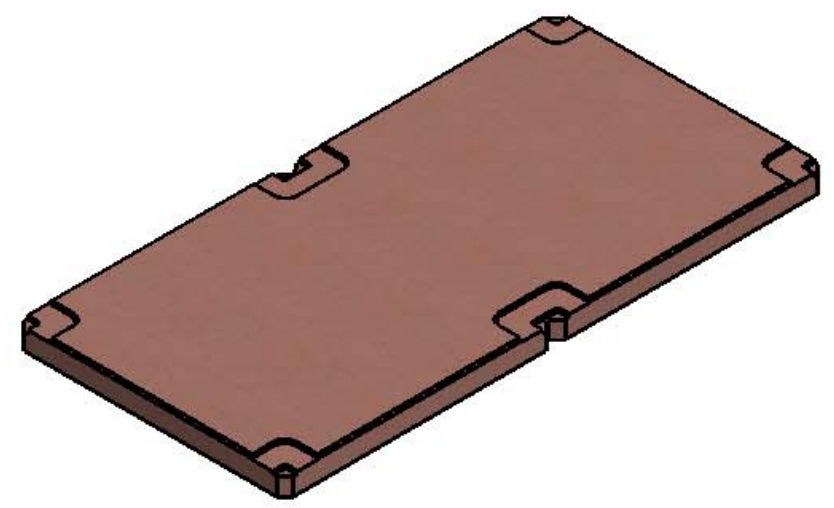
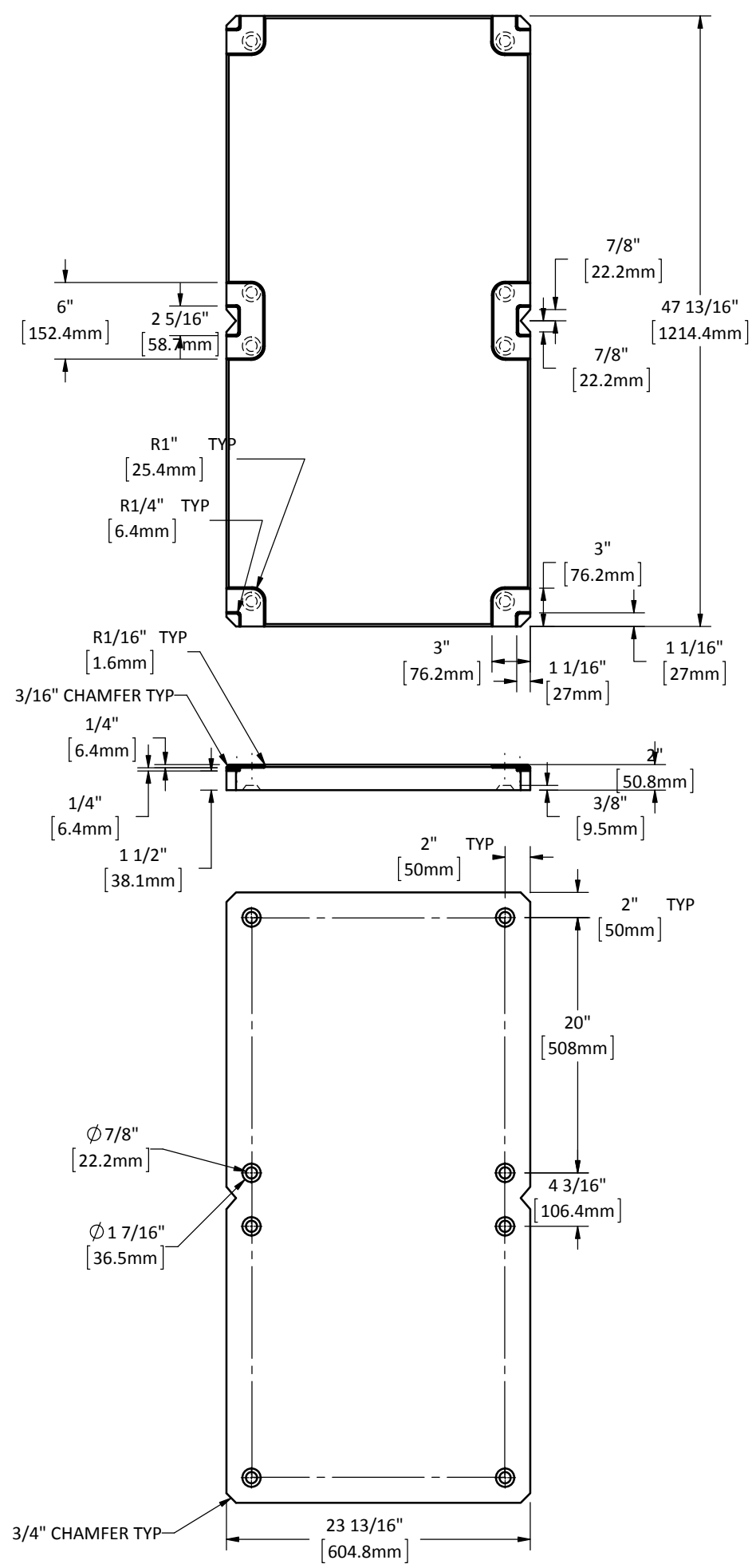
REVISIONS		
NAME	DATE	NOTES
1		
2		
3		
4		
5		
6		
7		
8		

**CONFIDENTIAL INFORMATION**  
THESE DRAWINGS, SPECIFICATIONS AND OTHER INFORMATION AND DOCUMENTS ACCOMPANYING THEM ARE THE CONFIDENTIAL AND PROPRIETARY PROPERTY OF WAUSAU TILE, INC. THE DRAWINGS THEMSELVES SHALL BELONG TO THE OWNER FOR USE ONLY ON THE PROJECT. ANY ADDITIONAL USE SHALL REQUIRE THE PRIOR WRITTEN APPROVAL OF WAUSAU TILE, INC. THE PROPRIETARY INFORMATION CONTAINED WITHIN THE DRAWINGS AND THE DOCUMENTS IS AND SHALL REMAIN THE SOLE PROPERTY OF WAUSAU TILE, INC.

**24 x 48 x 2 1/2 LOK-DOWN RUNNING BOND**

UNLESS OTHERWISE SPECIFIED  
DIMENSIONS ARE IN INCHES  
TOLERANCE:  
FRACTIONS ± 1/8" ANGLE ± 0.5°  
DIM: 2-PL ± 0.01 3-PL ± 0.05

DRAWN BY: RJK  
DATE: 6/17/2016  
MATERIAL:  
CO NUMBER:  
WEIGHT:  
NUMBER:  
**24x48x2 1/2 LOK  
RUNNING BOND**



REVISIONS

NAME	DATE	NOTES
1		
2		
3		
4		
5		
6		
7		
8		

**CONFIDENTIAL INFORMATION**  
THESE DRAWINGS, SPECIFICATIONS AND OTHER INFORMATION AND DOCUMENTS ACCOMPANYING THEM ARE THE CONFIDENTIAL AND PROPRIETARY PROPERTY OF WAUSAU TILE, INC. THE DRAWINGS THEMSELVES SHALL BELONG TO THE OWNER FOR USE ONLY ON THE PROJECT. ANY ADDITIONAL USE SHALL REQUIRE THE PRIOR WRITTEN APPROVAL OF WAUSAU TILE, INC. THE PROPRIETARY INFORMATION CONTAINED WITHIN THE DRAWINGS AND THE DOCUMENTS IS AND SHALL REMAIN THE SOLE PROPERTY OF WAUSAU TILE, INC.

24x48x2 1/2 LOK-DOWN

UNLESS OTHERWISE SPECIFIED  
DIMENSIONS ARE IN INCHES  
TOLERANCE:  
FRACTIONS ± 1/8" ANGLE ±0.5°  
DIM: 2-PL ±0.01 3-PL ±.005

DRAWN BY: RJK

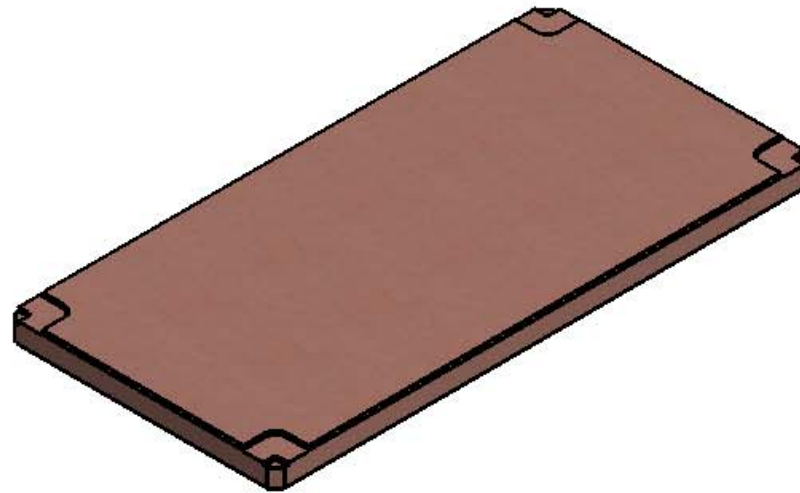
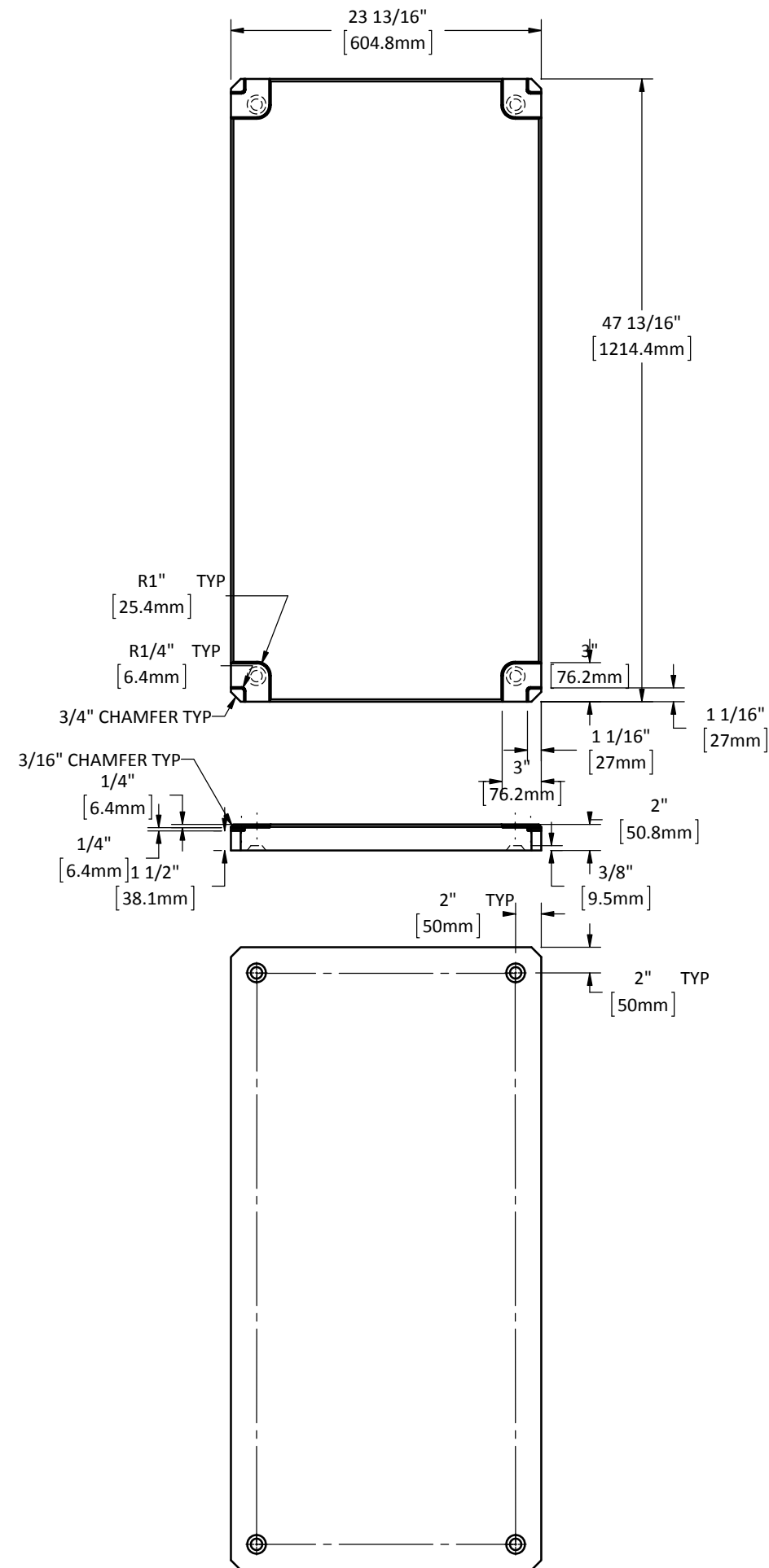
DATE: 6/17/2016

MATERIAL:

CO NUMBER:

WEIGHT:

NUMBER: **24x48x2 1/2**



REVISIONS		
NAME	DATE	NOTES
1		
2		
3		
4		
5		
6		
7		
8		

**CONFIDENTIAL INFORMATION**  
THESE DRAWINGS, SPECIFICATIONS AND OTHER INFORMATION AND DOCUMENTS ACCOMPANYING THEM ARE THE CONFIDENTIAL AND PROPRIETARY PROPERTY OF WAUSAU TILE, INC. THE DRAWINGS THEMSELVES SHALL BELONG TO THE OWNER FOR USE ONLY ON THE PROJECT. ANY ADDITIONAL USE SHALL REQUIRE THE PRIOR WRITTEN APPROVAL OF WAUSAU TILE, INC. THE PROPRIETARY INFORMATION CONTAINED WITHIN THE DRAWINGS AND THE DOCUMENTS IS AND SHALL REMAIN THE SOLE PROPERTY OF WAUSAU TILE, INC.

**30 x 30 x 2 LOK-DOWN**

UNLESS OTHERWISE SPECIFIED  
DIMENSIONS ARE IN INCHES  
TOLERANCE:  
FRACTIONS ± 1/8" ANGLE ± 0.5°  
DIM: 2-PL ± 0.01 3-PL ± 0.05

DRAWN BY: RJK  
DATE: 6/17/2016  
MATERIAL:  
CO NUMBER:  
WEIGHT:  
NUMBER: **30x30x2.5 LOK**

