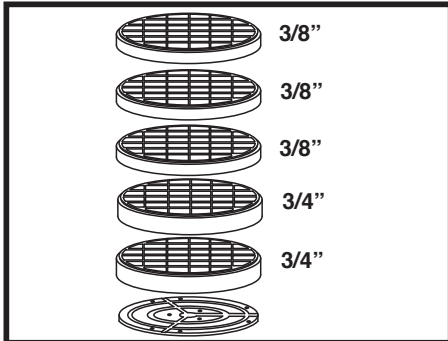
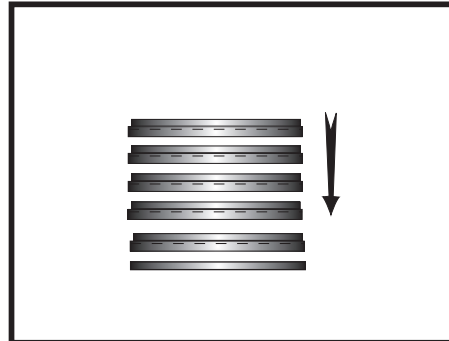




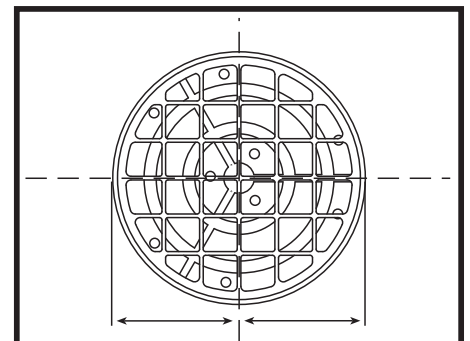
# Terra System One<sup>®</sup> Waffle Reducer Instructions



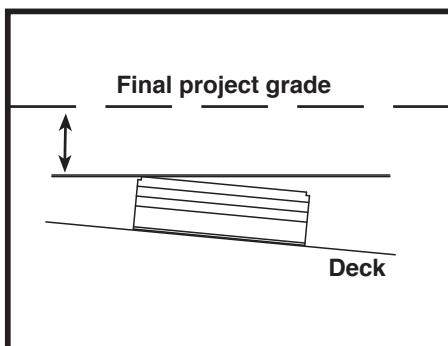
1. The reducer assembly consists of a base unit with 5 rings for height adjustments between 5/8" and 2 5/8". Additional base units are available in full box quantities.



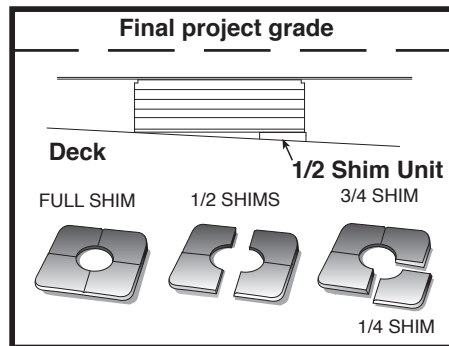
2. Setting base plate on surface, stack reducer rings over each other until required height is approximately reached.



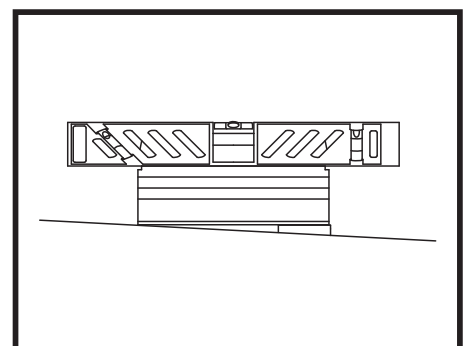
3. Center reducer unit on chalk line(s) previously established for paver layout.



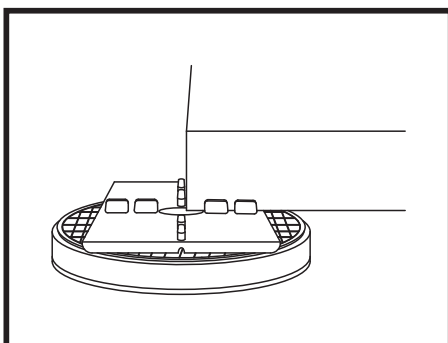
4. Use laser line or equivalent to establish final project grade. Subtract thickness of paver and support unit (Terra-Tab) to determine final reducer height required.



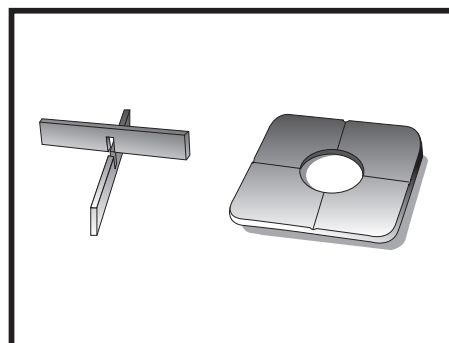
5. Use 1/8" shim plate under reducer, when required, to level with laser line. (Shims are scored to allow field cutting)



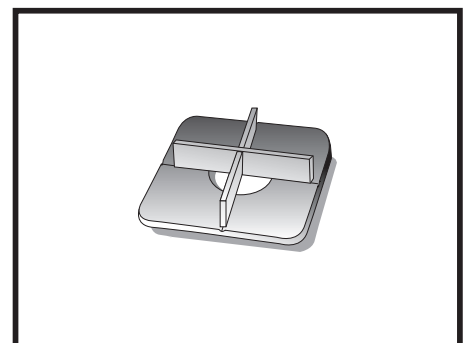
6. Check level of reducer in both directions. Make any necessary adjustments required using 1/8" shim plate (see #4).



7. Place Terra-Tab paver support unit on top of reducer and install pavers. See back of instructions for details.



8. Occasionally height limitation is less than what the reducer or Terra-Tab can accommodate. (See step 9)



9. When height clearance is limited, the use of 1/8" shim plates with 3/16" or 1/8" spacers may be required.



# Terra System One<sup>®</sup> Waffle Reducer Instructions

**TECTURA**  
designs™

P.O. Box 1520  
Wausau, WI 54402-1520  
1-800-388-8728  
1-715-359-3121  
1-715-359-7456 FAX  
[www.wausautile.com](http://www.wausautile.com)  
[wtile@wausautile.com](mailto:wtile@wausautile.com)

